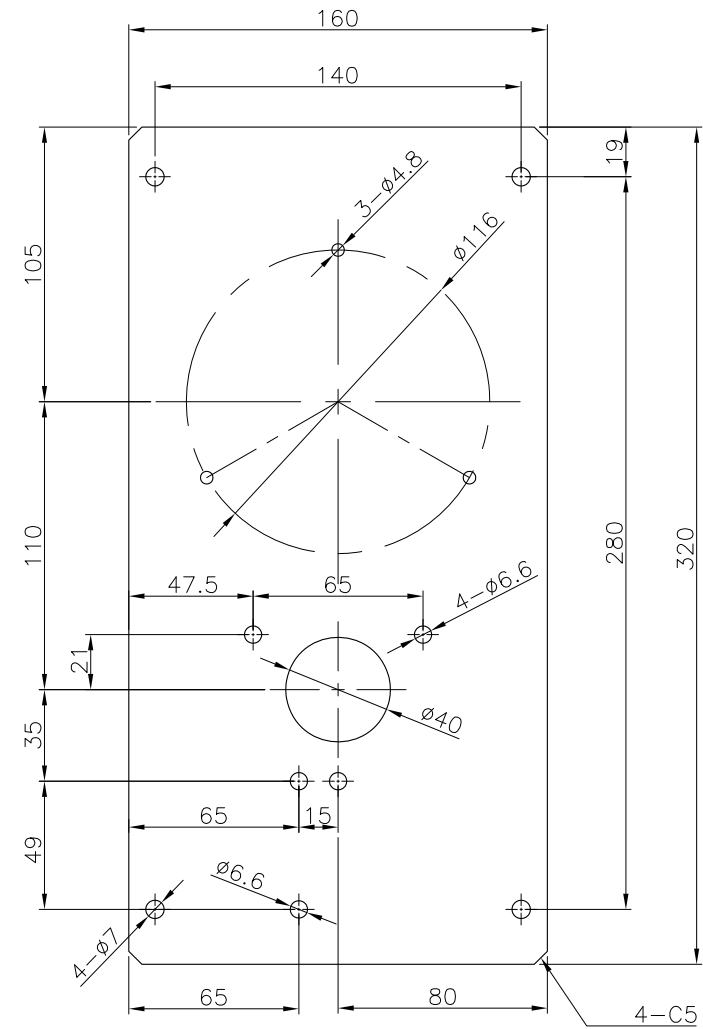
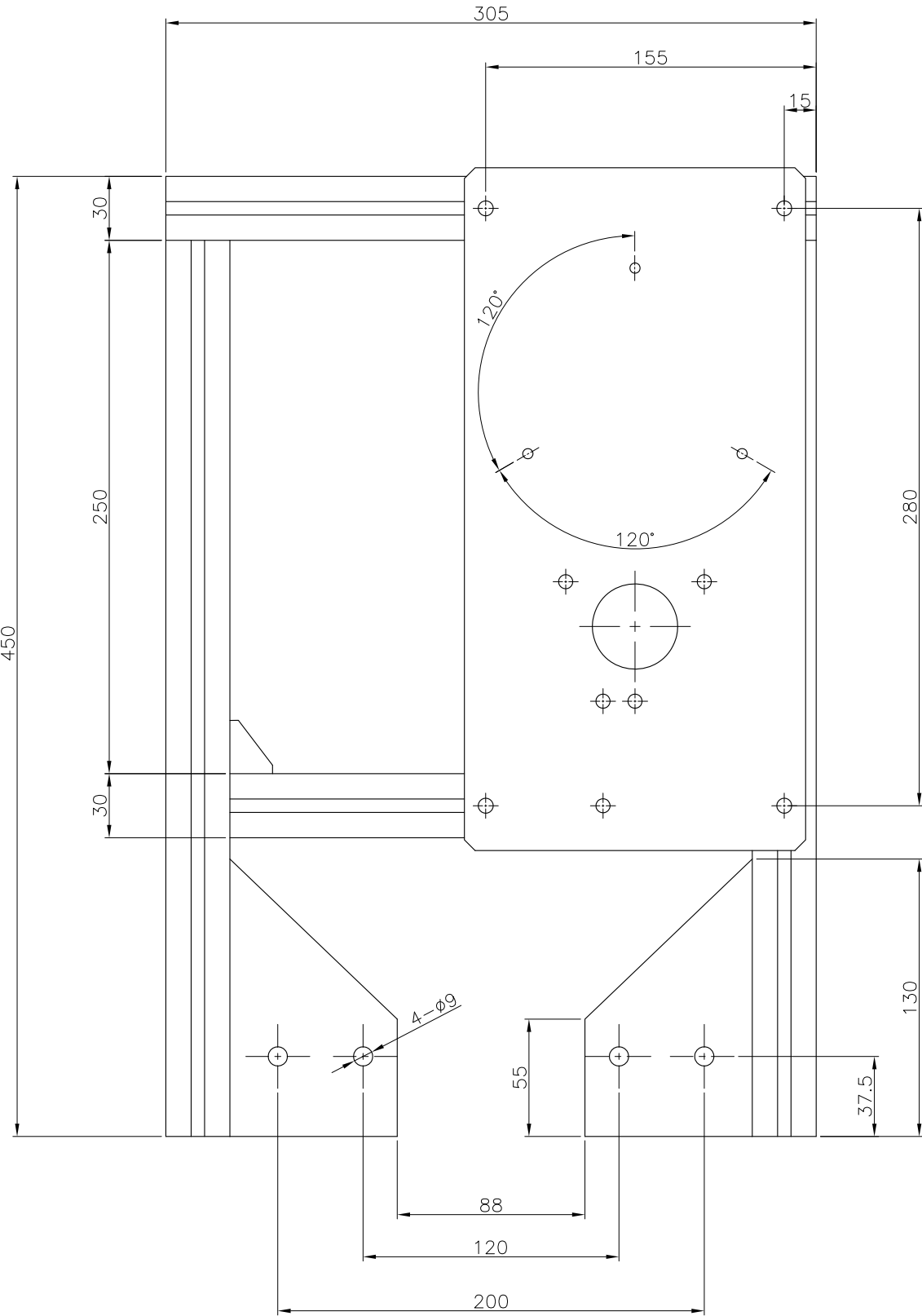


Code No.



DETAIL

- ※주석
 1.알루미늄프로파일 30X30(경량)
 2.STEEL PLATE 3T

No.	Description	Material	Q'ty	Remarks
Drawing No. 5300-230A				Scale N/S
TITLE GAUGE BOARD				Sheet 1/1 Rev. 0

Model	583 WD	Material	-
Drawn	2016.08.10 JS,AN	Reviewed	Approved

Rev No.	Date	Revision Description	Drawn	Reviewed	Approved
△2	-	-	-	-	-
△1	-	-	-	-	-

VS ENG CO., LTD.